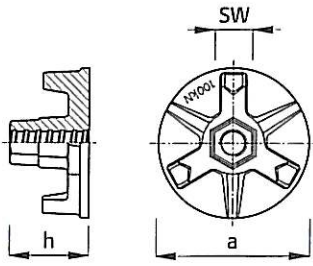


### Flange Nut 3-wings

Article-No.



$a = \varnothing 100 \text{ mm}$   
 $h = 55 \text{ mm}$   
 SW 27

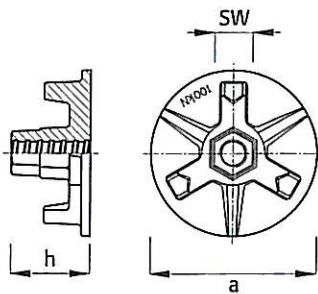
material EN-GJMW-400-5  
 material EN-GJS-500-7  
 weight 0,59 kg  
 working load 100 kN  
 girder spacing 35 mm

galvanized

15 F 31 100 G

### Flange Nut 3-wings

Article-No.



$a = \varnothing 110 \text{ mm}$   
 $h = 55 \text{ mm}$   
 SW 27

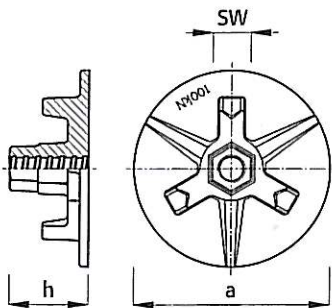
material EN-GJMW-400-5  
 material EN-GJS-500-7  
 weight 0,65 kg  
 working load 100 kN  
 girder spacing 35 mm

galvanized

15 F 31 110 G

### Flange Nut 3-wings

Article-No.



$a = \varnothing 130 \text{ mm}$   
 $h = 55 \text{ mm}$   
 SW 27

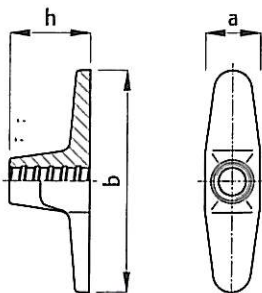
material EN-GJMW-400-5  
 material EN-GJS-500-7  
 weight 0,86 kg  
 working load 100 kN  
 girder spacing 35 mm

galvanized

15 F 31 130 G

### Welding Flange

Article-No.



$a = 32 \text{ mm}$   
 $b = 128 \text{ mm}$   
 $h = 47 \text{ mm}$

material S 355 J2 G3  
 weight 0,41 kg  
 working load 100 kN

forged

15 F 27 130

proof of welding acc. DIN 18 800  
 welded seam > 3 mm